



ENVASES SANZ BELDA, S.L.

Tel.: 34 96 236 02 32 - calidad@envasesanzbelda.es - www.envasesanzbelda.es
Pol. Ind. San José. Avda, Valencia, parc. 7 - Apdo. de Correos 46 - 46812 Aielo de Malferit, Valencia. (España)



Technical comercial data

E-2.5 T.E.T-4

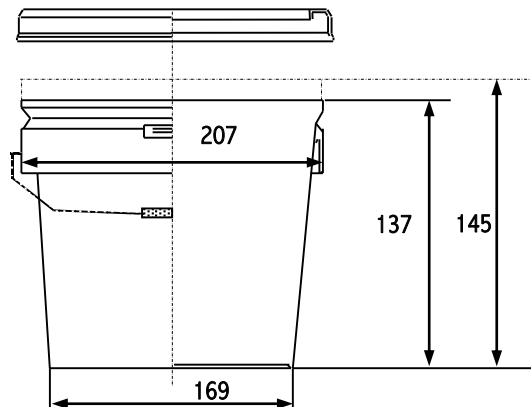
Serie ELEGANCE – Versión 07-02-2024
Lid design especially configured for thermosealed buckets

TECHNICAL DATA:

| | |
|-------------------------------------|---|
| Material: | PP copolymer of first quality, suitable for contact with food according to current regulations. |
| Colours: | White standard. Consult for other colours. |
| Useful Volume: | 2.5 litres |
| Volume to the edge: | 3.4 litres |
| Weight of the bucket: | 130 g. approx. |
| Weight of the lid: | 51 g. approx. |
| Weight of the handle (plastic): | 8 g. approx. |
| Total Weight: | 189 g. approx. |
| Decorative surface flat inks: | 90 x 555 mm (height x perimeter) |
| Design surface photographic finish: | 100 x 570 mm (height x perimeter) |



MEASUREMENTS:



Measurements in millimetres

GROUPING OF TRANSPORT:

| | |
|--------------------|--|
| Buckets: | 1020 buckets per pallet |
| Pallet dimensions: | 1250 x 1040 x 1020 (see drawing) |
| Lids: | 170 lids per box, this serves as a packaging of transportation |
| Box dimension: | 420 x 220 x 1000 |

